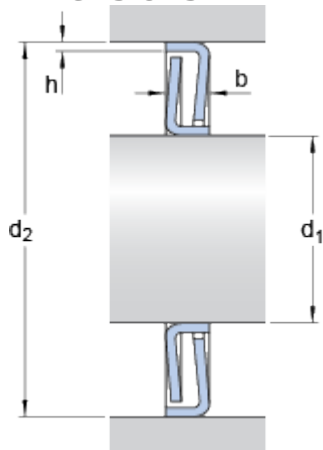


# Z 011

## Dimensions



$d_1$	55	mm
$d_2$	90	mm
$b$	6	mm
$h$	1.5	mm

## Mass

Mass	105	g
------	-----	---

## Appropriate products

Appropriate spacing washer in the housing	<a href="#">ZW 80x90</a>
---	--------------------------