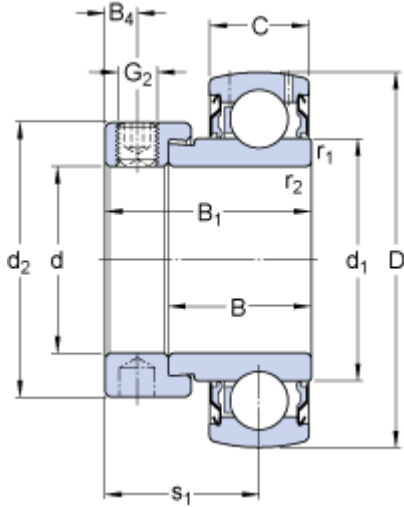


YET 212

Dimensions



d	60	mm
D	110	mm
B ₁	52.6	mm
B	36.7	mm
C	26	mm
d ₁	≈ 75.64	mm
d ₂	82	mm
B ₄	7.95	mm
r _{1,2}	min. 1.5	mm
s ₁	39.6	mm

Calculation data

Basic dynamic load rating	C	52.7	kN
Basic static load rating	C	36	kN
Fatigue load limit	P _u	1.53	kN
Limiting speed ¹⁾		3400	r/min
Calculation factor	f	14	

Mass

Mass complete bearing		1.35	kg
-----------------------	--	------	----

Mounting information

Thread grub screw	G ₂	M10x1	
Hexagonal key size for grub screw	N	5	mm
Recommended tightening torque for grub screw		16.5	N·m