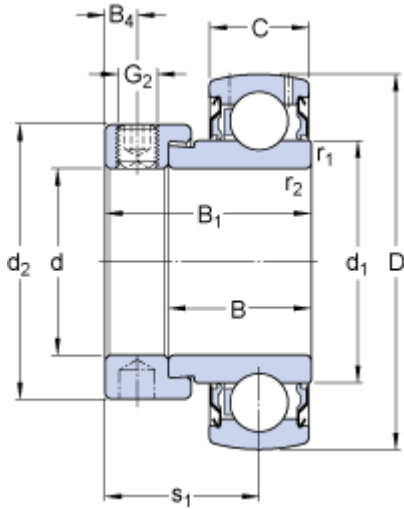


# YET 211

## Dimensions



d	55	mm
D	100	mm
B <sub>1</sub>	48.4	mm
B	32.6	mm
C	25	mm
d <sub>1</sub>	≈ 69.06	mm
d <sub>2</sub>	74.5	mm
B <sub>4</sub>	7.9	mm
r <sub>1,2</sub>	min. 1	mm
s <sub>1</sub>	35.9	mm

## Calculation data

Basic dynamic load rating	C	43.6	kN
Basic static load rating	C	29	kN
Fatigue load limit	P <sub>u</sub>	1.25	kN
Limiting speed <sup>1)</sup>		3600	r/min
Calculation factor	f	14	

## Mass

Mass complete bearing		1.05	kg
-----------------------	--	------	----

## Mounting information

Thread grub screw	G <sub>2</sub>	M10x1	
Hexagonal key size for grub screw	N	5	mm
Recommended tightening torque for grub screw		16.5	N·m