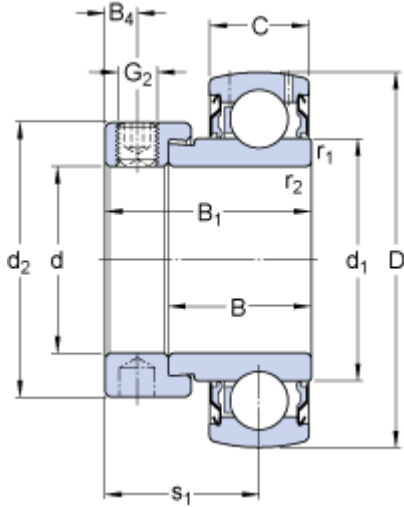


YET 209

Dimensions



d	45	mm
D	85	mm
B ₁	43.7	mm
B	30.2	mm
C	22	mm
d ₁	≈ 56.8	mm
d ₂	62	mm
B ₄	6.75	mm
r _{1,2}	min. 1	mm
s ₁	32.7	mm

Calculation data

Basic dynamic load rating	C	33.2	kN
Basic static load rating	C	21.6	kN
Fatigue load limit	P _u	0.915	kN
Limiting speed ¹⁾		4300	r/min
Calculation factor	f	14	

Mass

Mass complete bearing		0.68	kg
-----------------------	--	------	----

Mounting information

Thread grub screw	G ₂	M10x1
Hexagonal key size for grub screw	N	5 mm
Recommended tightening torque for grub screw		16.5 N·m