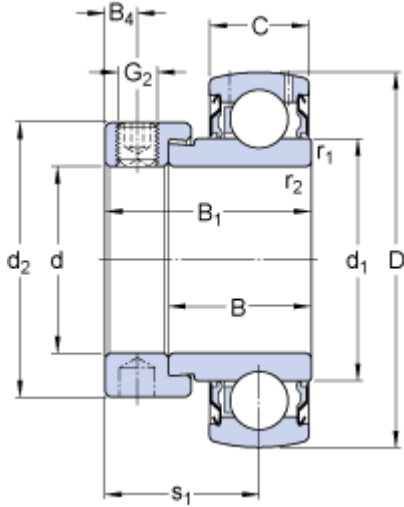


# YET 209-112

## Dimensions



$d$		44.45	mm
$D$		85	mm
$B_1$		43.7	mm
$B$		30.2	mm
$C$		22	mm
$d_1$	≈	56.8	mm
$d_2$		62	mm
$B_4$		6.75	mm
$r_{1,2}$	min.	1	mm
$s_1$		32.7	mm

## Calculation data

Basic dynamic load rating	C	33.2	kN
Basic static load rating	C	21.6	kN
Fatigue load limit	$P_u$	0.915	kN
Limiting speed <sup>1)</sup>		4300	r/min
Calculation factor	f	14	

## Mass

Mass complete bearing		0.69	kg
-----------------------	--	------	----

## Mounting information

Thread grub screw	$G_2$	3/8-24 UNF	
Hexagonal key size for grub screw	N	4.763	mm
Recommended tightening torque for grub screw		16.5	N·m