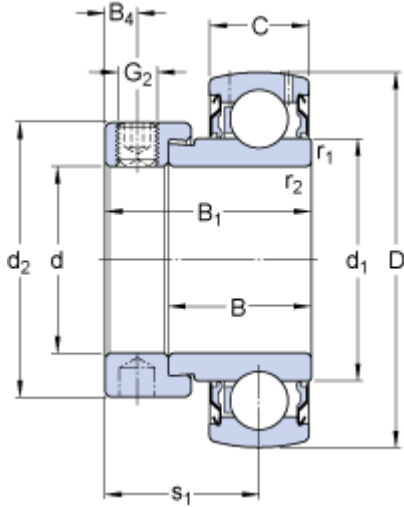


YET 209-111

Dimensions



d	42.862	mm
D	85	mm
B_1	43.7	mm
B	30.2	mm
C	22	mm
d_1	≈ 56.8	mm
d_2	62	mm
B_4	6.75	mm
$r_{1,2}$	min. 1	mm
s_1	32.7	mm

Calculation data

Basic dynamic load rating	C	33.2	kN
Basic static load rating	C	21.6	kN
Fatigue load limit	P_u	0.915	kN
Limiting speed ¹⁾		4300	r/min
Calculation factor	f	14	

Mass

Mass complete bearing	0.73	kg
-----------------------	------	----

Mounting information

Thread grub screw	G_2	3/8-24 UNF
Hexagonal key size for grub screw	N	4.763 mm
Recommended tightening torque for grub screw		16.5 N·m