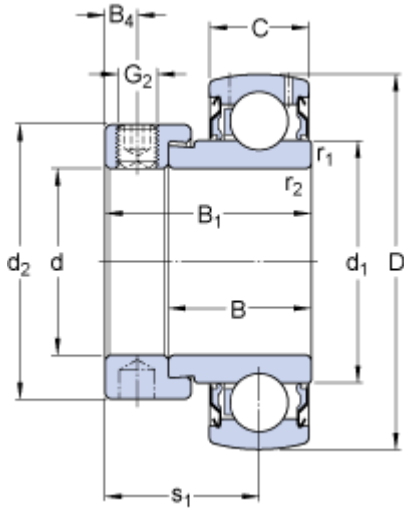


# YET 207

## Dimensions



$d$	35	mm
$D$	72	mm
$B_1$	38.9	mm
$B$	25.4	mm
$C$	19	mm
$d_1$	≈ 46.1	mm
$d_2$	51.1	mm
$B_4$	6.75	mm
$r_{1,2}$	min. 1	mm
$s_1$	29.4	mm

## Calculation data

Basic dynamic load rating	C	25.5	kN
Basic static load rating	C	15.3	kN
Fatigue load limit	$P_u$	0.655	kN
Limiting speed <sup>1)</sup>		5300	r/min
Calculation factor	f	14	

## Mass

Mass complete bearing		0.46	kg
-----------------------	--	------	----

## Mounting information

Thread grub screw	$G_2$	M10x1	
Hexagonal key size for grub screw	N	5	mm
Recommended tightening torque for grub screw		16.5	N·m

## Associated products

Rubber seating ring		<a href="#">RIS 207 A</a>	
---------------------	--	---------------------------	--