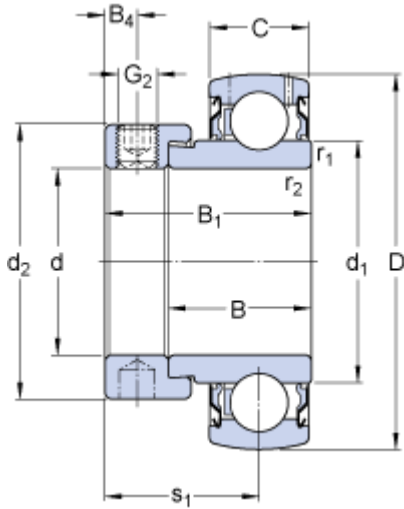


YET 206

Dimensions



d	30	mm
D	62	mm
B_1	35.7	mm
B	23.8	mm
C	18	mm
d_1	≈ 39.7	mm
d_2	44.1	mm
B_4	5.95	mm
$r_{1,2}$	min. 0.6	mm
s_1	26.7	mm

Calculation data

Basic dynamic load rating	C	19.5	kN
Basic static load rating	C	11.2	kN
Fatigue load limit	P_u	0.475	kN
Limiting speed ¹⁾		6300	r/min
Calculation factor	f	14	

Mass

Mass complete bearing		0.32	kg
-----------------------	--	------	----

Mounting information

Thread grub screw	G_2	M8x1
Hexagonal key size for grub screw	N	4 mm
Recommended tightening torque for grub screw		6.5 N·m

Associated products

Rubber seating ring		RIS 206 A
---------------------	--	---------------------------