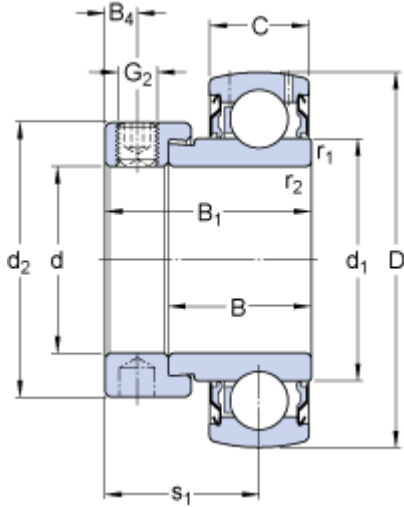


# YET 206-104

## Dimensions



d		31.75	mm
D		62	mm
$B_1$		35.7	mm
B		23.8	mm
C		18	mm
$d_1$	≈	39.7	mm
$d_2$		44.1	mm
$B_4$		5.95	mm
$r_{1,2}$	min.	0.6	mm
$s_1$		26.7	mm

## Calculation data

Basic dynamic load rating	C	19.5	kN
Basic static load rating	C	11.2	kN
Fatigue load limit	$P_u$	0.475	kN
Limiting speed <sup>1)</sup>		6300	r/min
Calculation factor	f	14	

## Mass

Mass complete bearing		0.3	kg
-----------------------	--	-----	----

## Mounting information

Thread grub screw	$G_2$	5/16-24 UNF	
Hexagonal key size for grub screw	N	3.969	mm
Recommended tightening torque for grub screw		6.5	N·m

## Associated products

Rubber seating ring		<a href="#">RIS 206 A</a>	
---------------------	--	---------------------------	--