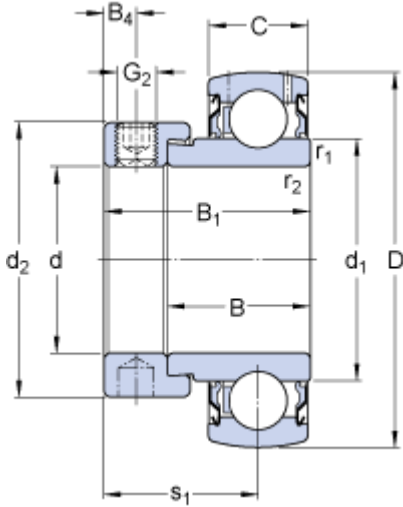


YET 206-102

Dimensions



d		28.575	mm
D		62	mm
B_1		35.7	mm
B		23.8	mm
C		18	mm
d_1	≈	39.7	mm
d_2		44.1	mm
B_4		5.95	mm
$r_{1,2}$	min.	0.6	mm
s_1		26.7	mm

Calculation data

Basic dynamic load rating	C	19.5	kN
Basic static load rating	C	11.2	kN
Fatigue load limit	P_u	0.475	kN
Limiting speed ¹⁾		6300	r/min
Calculation factor	f	14	

Mass

Mass complete bearing		0.34	kg
-----------------------	--	------	----

Mounting information

Thread grub screw	G_2	5/16-24 UNF	
Hexagonal key size for grub screw	N	3.969	mm
Recommended tightening torque for grub screw		6.5	N·m

Associated products

Rubber seating ring		RIS 206 A	
---------------------	--	---------------------------	--