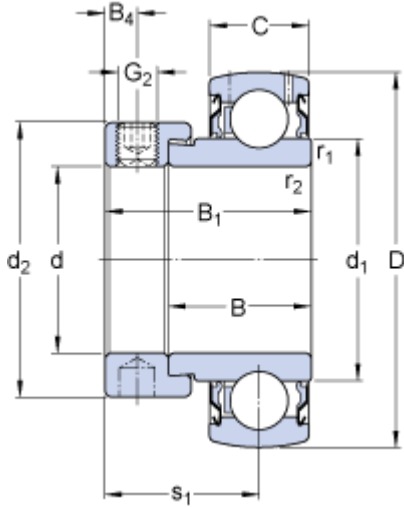


# YET 205

## Dimensions



$d$	25	mm
$D$	52	mm
$B_1$	31	mm
$B$	21.5	mm
$C$	15	mm
$d_1$	≈ 33.74	mm
$d_2$	37.4	mm
$B_4$	4.75	mm
$r_{1,2}$	min. 0.6	mm
$s_1$	23.5	mm

## Calculation data

Basic dynamic load rating	C	14	kN
Basic static load rating	C	7.8	kN
Fatigue load limit	$P_u$	0.335	kN
Limiting speed <sup>1)</sup>		7000	r/min
Calculation factor	f	14	

## Mass

Mass complete bearing		0.2	kg
-----------------------	--	-----	----

## Mounting information

Thread grub screw	$G_2$	M6x0.75
Hexagonal key size for grub screw	N	3 mm
Recommended tightening torque for grub screw		4 N·m

## Associated products

Rubber seating ring		<a href="#">RIS 205</a>
---------------------	--	-------------------------