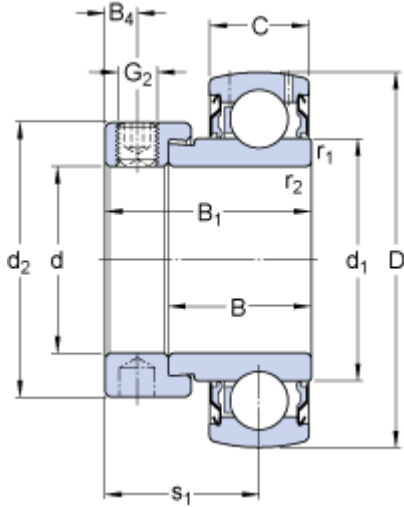


YET 205-100

Dimensions



| | | | |
|-----------|------|-------|----|
| d | | 25.4 | mm |
| D | | 52 | mm |
| B_1 | | 31 | mm |
| B | | 21.5 | mm |
| C | | 15 | mm |
| d_1 | ≈ | 33.74 | mm |
| d_2 | | 37.4 | mm |
| B_4 | | 4.75 | mm |
| $r_{1,2}$ | min. | 0.6 | mm |
| s_1 | | 23.5 | mm |

Calculation data

| | | | |
|------------------------------|-------|-------|-------|
| Basic dynamic load rating | C | 14 | kN |
| Basic static load rating | C | 7.8 | kN |
| Fatigue load limit | P_u | 0.335 | kN |
| Limiting speed ¹⁾ | | 7000 | r/min |
| Calculation factor | f | 14 | |

Mass

| | | | |
|-----------------------|--|------|----|
| Mass complete bearing | | 0.19 | kg |
|-----------------------|--|------|----|

Mounting information

| | | | |
|--|-------|------------|-----|
| Thread grub screw | G_2 | 1/4-28 UNF | |
| Hexagonal key size for grub screw | N | 3.175 | mm |
| Recommended tightening torque for grub screw | | 4 | N·m |

Associated products

| | | | |
|---------------------|--|-------------------------|--|
| Rubber seating ring | | RIS 205 | |
|---------------------|--|-------------------------|--|