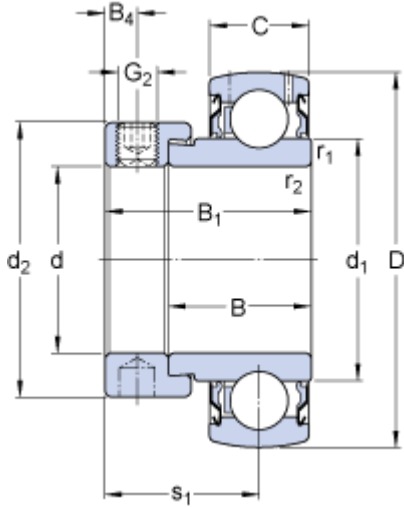


YET 204

Dimensions



| | | |
|-----------|----------|----|
| d | 20 | mm |
| D | 47 | mm |
| B_1 | 30.5 | mm |
| B | 21 | mm |
| C | 14 | mm |
| d_1 | ≈ 28.2 | mm |
| d_2 | 32.4 | mm |
| B_4 | 4.75 | mm |
| $r_{1,2}$ | min. 0.6 | mm |
| s_1 | 23.5 | mm |

Calculation data

| | | | |
|------------------------------|-------|------|-------|
| Basic dynamic load rating | C | 12.7 | kN |
| Basic static load rating | C | 6.55 | kN |
| Fatigue load limit | P_u | 0.28 | kN |
| Limiting speed ¹⁾ | | 8500 | r/min |
| Calculation factor | f | 13 | |

Mass

| | | | |
|-----------------------|--|------|----|
| Mass complete bearing | | 0.16 | kg |
|-----------------------|--|------|----|

Mounting information

| | | |
|--|-------|---------|
| Thread grub screw | G_2 | M6x0.75 |
| Hexagonal key size for grub screw | N | 3 mm |
| Recommended tightening torque for grub screw | | 4 N·m |

Associated products

| | |
|---------------------|-------------------------|
| Rubber seating ring | RIS 204 |
|---------------------|-------------------------|