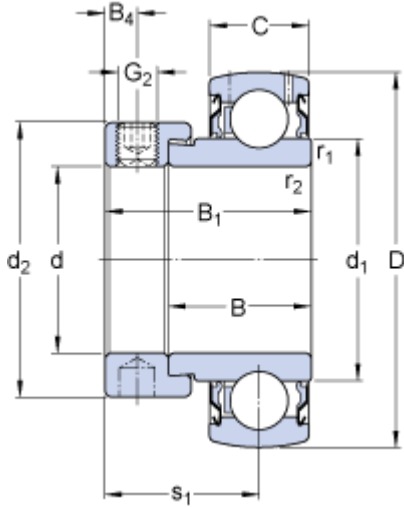


# YET 204-012

## Dimensions



d		19.05	mm
D		47	mm
B <sub>1</sub>		30.5	mm
B		21	mm
C		14	mm
d <sub>1</sub>	≈	28.2	mm
d <sub>2</sub>		32.4	mm
B <sub>4</sub>		4.75	mm
r <sub>1,2</sub>	min.	0.6	mm
s <sub>1</sub>		23.5	mm

## Calculation data

Basic dynamic load rating	C	12.7	kN
Basic static load rating	C	6.55	kN
Fatigue load limit	P <sub>u</sub>	0.28	kN
Limiting speed <sup>1)</sup>		8500	r/min
Calculation factor	f	13	

## Mass

Mass complete bearing		0.17	kg
-----------------------	--	------	----

## Mounting information

Thread grub screw	G <sub>2</sub>	1/4-28 UNF	
Hexagonal key size for grub screw	N	3.175	mm
Recommended tightening torque for grub screw		4	N·m

## Associated products

Rubber seating ring		<a href="#">RIS 204</a>	
---------------------	--	-------------------------	--