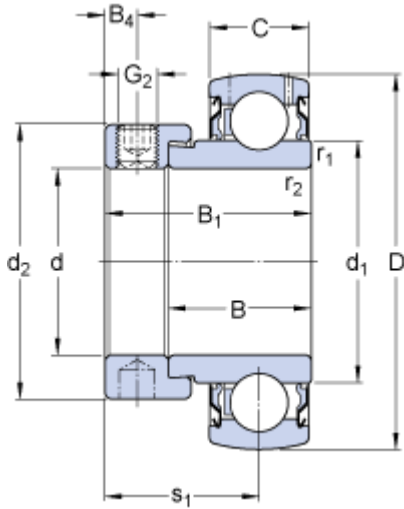


YET 203

Dimensions



d	17	mm
D	40	mm
B_1	28.6	mm
B	19.1	mm
C	12	mm
d_1	≈ 24.2	mm
d_2	27.2	mm
B_4	4.75	mm
$r_{1,2}$	min. 0.3	mm
s_1	22.1	mm

Calculation data

Basic dynamic load rating	C	9.56	kN
Basic static load rating	C	4.75	kN
Fatigue load limit	P_u	0.2	kN
Limiting speed ¹⁾		9500	r/min
Calculation factor	f	13	

Mass

Mass complete bearing		0.11	kg
-----------------------	--	------	----

Mounting information

Thread grub screw	G_2	M6x0.75
Hexagonal key size for grub screw	N	3 mm
Recommended tightening torque for grub screw		4 N·m

Associated products

Rubber seating ring	RIS 203
---------------------	-------------------------