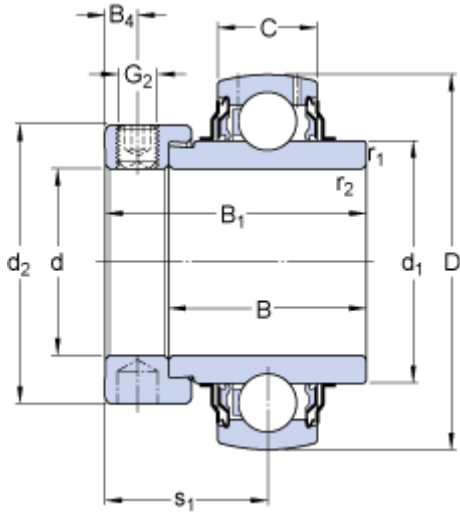


YEL 212-2F

Dimensions



d	60	mm
D	110	mm
B ₁	77.8	mm
B	61.9	mm
C	26	mm
d ₁	≈ 75.64	mm
d ₂	82	mm
B ₄	7.95	mm
r _{1,2}	min. 1.5	mm
s ₁	46.8	mm

Calculation data

Basic dynamic load rating	C	52.7	kN
Basic static load rating	C	36	kN
Fatigue load limit	P _u	1.53	kN
Limiting speed ¹⁾		3400	r/min
Calculation factor	f	14	

Mass

Mass complete bearing	1.7	kg
-----------------------	-----	----

Mounting information

Thread grub screw	G ₂	M10x1
Hexagonal key size for grub screw	N	5 mm
Recommended tightening torque for grub screw		16.5 N·m