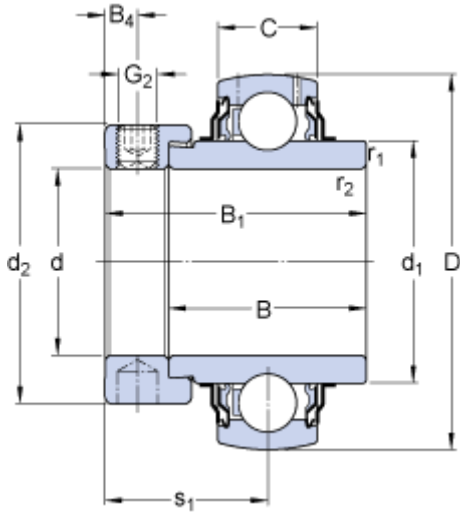


# YEL 211-200-2F

## Dimensions



$d$		50.8	mm
$D$		100	mm
$B_1$		71.4	mm
$B$		55.6	mm
$C$		25	mm
$d_1$	≈	69.06	mm
$d_2$		74.5	mm
$B_4$		7.9	mm
$r_{1,2}$	min.	1	mm
$s_1$		43.6	mm

## Calculation data

Basic dynamic load rating	$C$	43.6	kN
Basic static load rating	$C$	29	kN
Fatigue load limit	$P_u$	1.25	kN
Limiting speed <sup>1)</sup>		3600	r/min
Calculation factor	$f$	14	

## Mass

Mass complete bearing		1.5	kg
-----------------------	--	-----	----

## Mounting information

Thread grub screw	$G_2$	7/16-20 UNF	
Hexagonal key size for grub screw	$N$	5.556	mm
Recommended tightening torque for grub screw		28.5	N·m