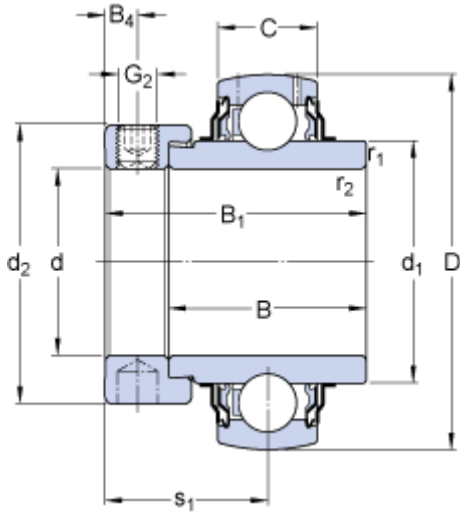


YEL 210-2F

Dimensions



d	50	mm
D	90	mm
B_1	62.7	mm
B	49.2	mm
C	22	mm
d_1	≈ 62.51	mm
d_2	67.2	mm
B_4	6.75	mm
$r_{1,2}$	min. 1	mm
s_1	38.1	mm

Calculation data

Basic dynamic load rating	C	35.1	kN
Basic static load rating	C	23.2	kN
Fatigue load limit	P_u	0.98	kN
Limiting speed ¹⁾		4000	r/min
Calculation factor	f	14	

Mass

Mass complete bearing		0.92	kg
-----------------------	--	------	----

Mounting information

Thread grub screw	G_2	M10x1	
Hexagonal key size for grub screw	N	5	mm
Recommended tightening torque for grub screw		16.5	N·m