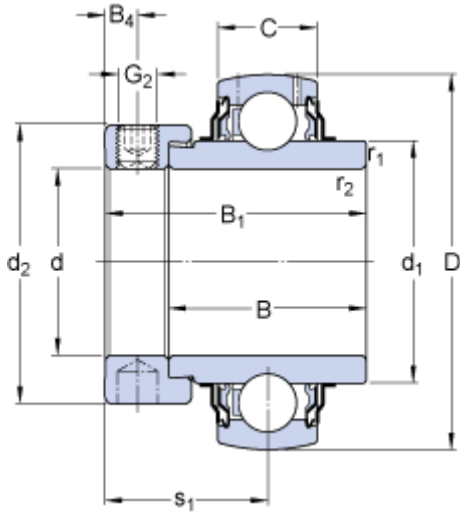


YEL 208-2F

Dimensions



d	40	mm
D	80	mm
B_1	56.3	mm
B	42.8	mm
C	21	mm
d_1	≈ 51.8	mm
d_2	56.5	mm
B_4	6.75	mm
$r_{1,2}$	min. 1	mm
s_1	34.9	mm

Calculation data

Basic dynamic load rating	C	30.7	kN
Basic static load rating	C	19	kN
Fatigue load limit	P_u	0.8	kN
Limiting speed ¹⁾		4800	r/min
Calculation factor	f	14	

Mass

Mass complete bearing	0.7	kg
-----------------------	-----	----

Mounting information

Thread grub screw	G_2	M10x1
Hexagonal key size for grub screw	N	5 mm
Recommended tightening torque for grub screw		16.5 N·m

Associated products

Rubber seating ring	RIS 208 A
---------------------	---------------------------