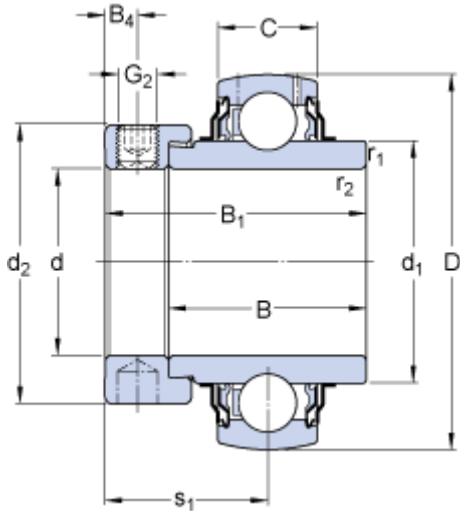


YEL 207-2F

Dimensions



d	35	mm
D	72	mm
B_1	51.1	mm
B	37.6	mm
C	19	mm
d_1	≈ 46.1	mm
d_2	51.1	mm
B_4	6.75	mm
$r_{1,2}$	min. 1	mm
s_1	32.3	mm

Calculation data

Basic dynamic load rating	C	25.5	kN
Basic static load rating	C	15.3	kN
Fatigue load limit	P_u	0.655	kN
Limiting speed ¹⁾		5300	r/min
Calculation factor	f	14	

Mass

Mass complete bearing		0.54	kg
-----------------------	--	------	----

Mounting information

Thread grub screw	G_2	M10x1	
Hexagonal key size for grub screw	N	5	mm
Recommended tightening torque for grub screw		16.5	N·m

Associated products

Rubber seating ring		RIS 207 A	
---------------------	--	---------------------------	--