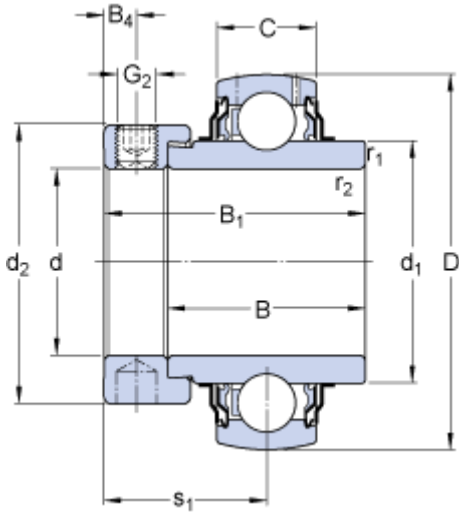


YEL 207-104-2F

Dimensions



| | | | |
|------------------|------|-------|----|
| d | | 31.75 | mm |
| D | | 72 | mm |
| B ₁ | | 51.1 | mm |
| B | | 37.6 | mm |
| C | | 19 | mm |
| d ₁ | ≈ | 46.1 | mm |
| d ₂ | | 51.1 | mm |
| B ₄ | | 6.75 | mm |
| r _{1,2} | min. | 1 | mm |
| s ₁ | | 32.3 | mm |

Calculation data

| | | | |
|------------------------------|----------------|-------|-------|
| Basic dynamic load rating | C | 25.5 | kN |
| Basic static load rating | C | 15.3 | kN |
| Fatigue load limit | P _u | 0.655 | kN |
| Limiting speed ¹⁾ | | 5300 | r/min |
| Calculation factor | f | 14 | |

Mass

| | | | |
|-----------------------|--|------|----|
| Mass complete bearing | | 0.61 | kg |
|-----------------------|--|------|----|

Mounting information

| | | | |
|--|----------------|------------|-----|
| Thread grub screw | G ₂ | 3/8-24 UNF | |
| Hexagonal key size for grub screw | N | 4.763 | mm |
| Recommended tightening torque for grub screw | | 16.5 | N·m |

Associated products

| | | | |
|---------------------|--|---------------------------|--|
| Rubber seating ring | | RIS 207 A | |
|---------------------|--|---------------------------|--|