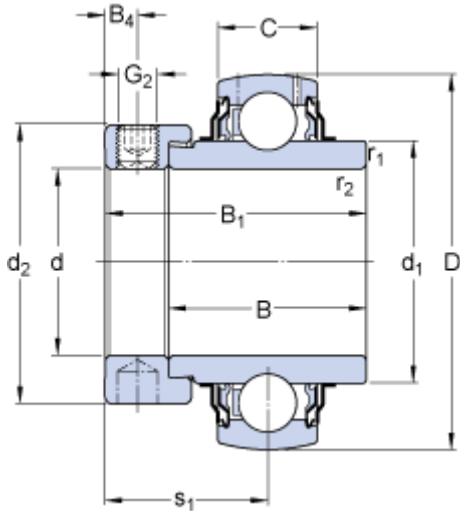


# YEL 204-2F

## Dimensions



$d$	20	mm
$D$	47	mm
$B_1$	43.7	mm
$B$	34.2	mm
$C$	14	mm
$d_1$	≈ 28.2	mm
$d_2$	32.4	mm
$B_4$	4.75	mm
$r_{1,2}$	min. 0.6	mm
$s_1$	26.6	mm

## Calculation data

Basic dynamic load rating	C	12.7	kN
Basic static load rating	C	6.55	kN
Fatigue load limit	$P_u$	0.28	kN
Limiting speed <sup>1)</sup>		8500	r/min
Calculation factor	f	13	

## Mass

Mass complete bearing	0.2	kg
-----------------------	-----	----

## Mounting information

Thread grub screw	$G_2$	M6x0.75
Hexagonal key size for grub screw	N	3 mm
Recommended tightening torque for grub screw		4 N·m

## Associated products

Rubber seating ring	<a href="#">RIS 204</a>
---------------------	-------------------------