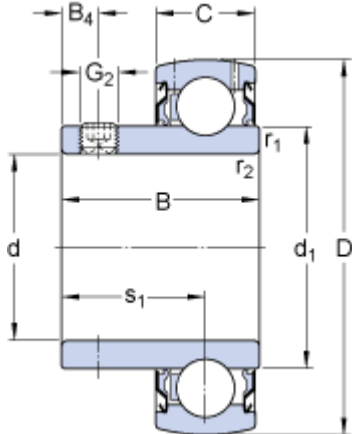


# YAT 210

## Dimensions



d	50	mm
D	90	mm
B	38.8	mm
C	22	mm
d <sub>1</sub>	≈ 62.51	mm
B <sub>4</sub>	8	mm
r <sub>1,2</sub>	min. 1	mm
s <sub>1</sub>	27.6	mm

## Calculation data

Basic dynamic load rating	C	35.1	kN
Basic static load rating	C	23.2	kN
Fatigue load limit	P <sub>u</sub>	0.98	kN
Limiting speed <sup>1)</sup>		4000	r/min
Calculation factor	f	14	

## Mass

Mass complete bearing		0.63	kg
-----------------------	--	------	----

## Mounting information

Thread grub screw	G <sub>2</sub>	M8x1
Hexagonal key size for grub screw	N	4 mm
Recommended tightening torque for grub screw		6.5 N·m