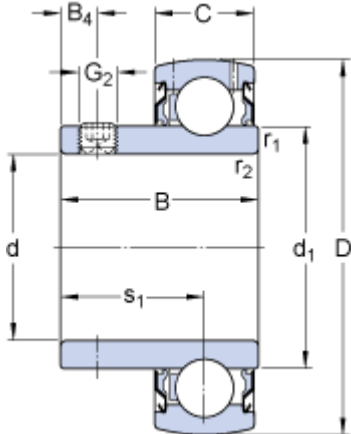


YAT 208

Dimensions



d		40	mm
D		80	mm
B		36	mm
C		21	mm
d ₁	≈	51.8	mm
B ₄		7	mm
r _{1,2}	min.	1	mm
s ₁		25.3	mm

Calculation data

Basic dynamic load rating	C	30.7	kN
Basic static load rating	C	19	kN
Fatigue load limit	P _u	0.8	kN
Limiting speed ¹⁾		4800	r/min
Calculation factor	f	14	

Mass

Mass complete bearing		0.5	kg
-----------------------	--	-----	----

Mounting information

Thread grub screw	G ₂	M6x0.75	
Hexagonal key size for grub screw	N	3	mm
Recommended tightening torque for grub screw		4	N·m

Associated products

Rubber seating ring		RIS 208 A	
---------------------	--	---------------------------	--