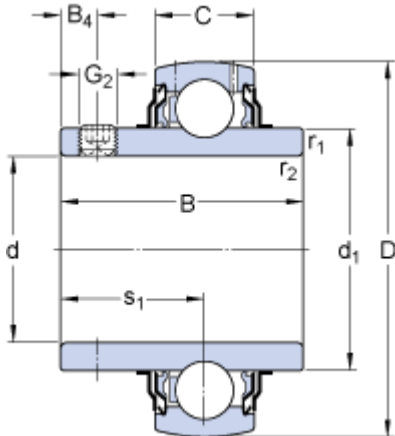


YAR 220-2F

Dimensions



d	100	mm
D	180	mm
B	98.4	mm
C	40	mm
d ₁	≈ 124.8	mm
B ₄	18	mm
r _{1,2}	min. 1.9	mm
s ₁	63.4	mm

Calculation data

Basic dynamic load rating	C	124	kN
Basic static load rating	C	93	kN
Fatigue load limit	P _u	3.35	kN
Limiting speed ¹⁾		1900	r/min
Calculation factor	f	14	

Mass

Mass complete bearing		5.6	kg
-----------------------	--	-----	----

Mounting information

Thread grub screw	G ₂	M12x1.5	
Hexagonal key size for grub screw	N	6	mm
Recommended tightening torque for grub screw		28.5	N·m