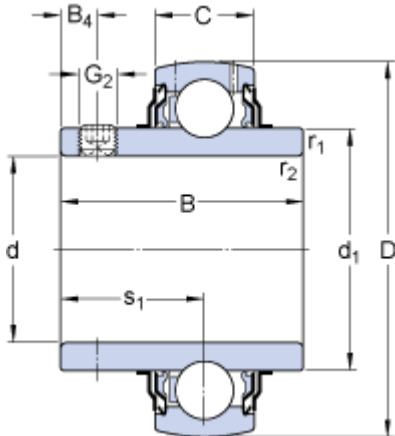


# YAR 218-2F

## Dimensions



$d$	90	mm
$D$	160	mm
$B$	89	mm
$C$	36	mm
$d_1$	≈ 112.5	mm
$B_4$	12	mm
$r_{1,2}$	min. 2	mm
$s_1$	54	mm

## Calculation data

Basic dynamic load rating	$C$	95.6	kN
Basic static load rating	$C$	72	kN
Fatigue load limit	$P_u$	2.7	kN
Limiting speed <sup>1)</sup>		2000	r/min
Calculation factor	$f$	15	

## Mass

Mass complete bearing	4	kg
-----------------------	---	----

## Mounting information

Thread grub screw	$G_2$	M12x1.5
Hexagonal key size for grub screw	$N$	6 mm
Recommended tightening torque for grub screw		28.5 N·m