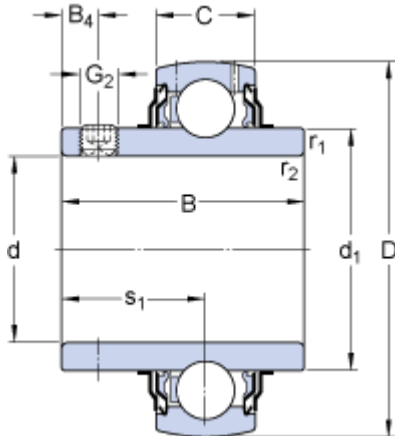


YAR 215-2F

Dimensions



d	75	mm
D	130	mm
B	73.3	mm
C	29	mm
d ₁	≈ 92.05	mm
B ₄	12	mm
r _{1,2}	min. 1.5	mm
s ₁	46.3	mm

Calculation data

Basic dynamic load rating	C	66.3	kN
Basic static load rating	C	49	kN
Fatigue load limit	P _u	2.04	kN
Limiting speed ¹⁾		2600	r/min
Calculation factor	f	15	

Mass

Mass complete bearing		2.15	kg
-----------------------	--	------	----

Mounting information

Thread grub screw	G ₂	M10x1	
Hexagonal key size for grub screw	N	5	mm
Recommended tightening torque for grub screw		16.5	N·m