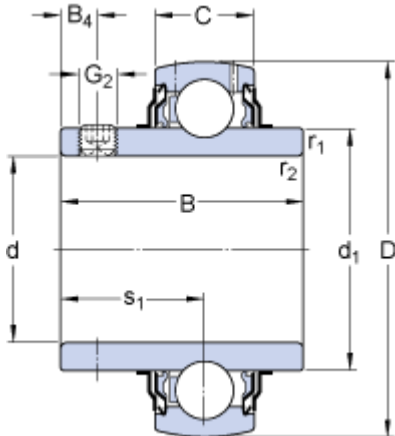


YAR 214-2F

Dimensions



| | | |
|------------------|----------|----|
| d | 70 | mm |
| D | 125 | mm |
| B | 69.9 | mm |
| C | 28 | mm |
| d ₁ | ≈ 87.05 | mm |
| B ₄ | 12 | mm |
| r _{1,2} | min. 1.5 | mm |
| s ₁ | 39.7 | mm |

Calculation data

| | | | |
|------------------------------|----------------|------|-------|
| Basic dynamic load rating | C | 62.4 | kN |
| Basic static load rating | C | 45 | kN |
| Fatigue load limit | P _u | 1.86 | kN |
| Limiting speed ¹⁾ | | 2800 | r/min |
| Calculation factor | f | 15 | |

Mass

| | | | |
|-----------------------|--|------|----|
| Mass complete bearing | | 1.95 | kg |
|-----------------------|--|------|----|

Mounting information

| | | | |
|--|----------------|-------|-----|
| Thread grub screw | G ₂ | M10x1 | |
| Hexagonal key size for grub screw | N | 5 | mm |
| Recommended tightening torque for grub screw | | 16.5 | N·m |