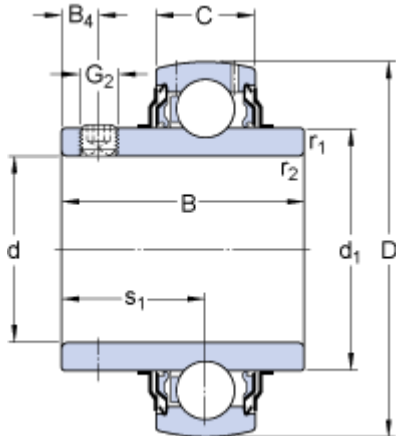


# YAR 213-2F

## Dimensions



d	65	mm
D	120	mm
B	68.3	mm
C	27	mm
d <sub>1</sub>	≈ 82.5	mm
B <sub>4</sub>	10	mm
r <sub>1,2</sub>	min. 1.5	mm
s <sub>1</sub>	42.9	mm

## Calculation data

Basic dynamic load rating	C	57.2	kN
Basic static load rating	C	40	kN
Fatigue load limit	P <sub>u</sub>	1.7	kN
Limiting speed <sup>1)</sup>		3000	r/min
Calculation factor	f	15	

## Mass

Mass complete bearing		1.8	kg
-----------------------	--	-----	----

## Mounting information

Thread grub screw	G <sub>2</sub>	M10x1	
Hexagonal key size for grub screw	N	5	mm
Recommended tightening torque for grub screw		16.5	N·m