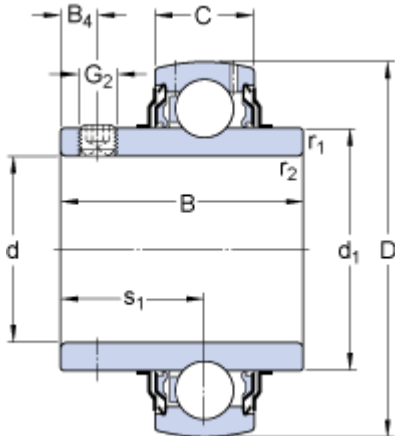


YAR 213-208-2F

Dimensions



d		63.5	mm
D		120	mm
B		68.3	mm
C		27	mm
d_1	\approx	82.5	mm
B_4		10	mm
$r_{1,2}$	min.	1.5	mm
s_1		42.9	mm

Calculation data

Basic dynamic load rating	C	57.2	kN
Basic static load rating	C	40	kN
Fatigue load limit	P_u	1.7	kN
Limiting speed ¹⁾		3000	r/min
Calculation factor	f	15	

Mass

Mass complete bearing		1.85	kg
-----------------------	--	------	----

Mounting information

Thread grub screw	G_2	3/8-24 UNF	
Hexagonal key size for grub screw	N	4.763	mm
Recommended tightening torque for grub screw		16.5	N·m