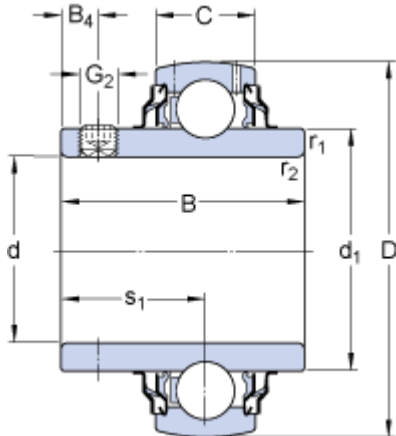


YAR 212-2RF

Dimensions



| | | |
|-----------|-----------------|----|
| d | 60 | mm |
| D | 110 | mm |
| B | 65.1 | mm |
| C | 26 | mm |
| d_1 | \approx 75.64 | mm |
| B_4 | 10 | mm |
| $r_{1,2}$ | min. 1.5 | mm |
| s_1 | 39.7 | mm |

Calculation data

| | | | |
|------------------------------|-------|------|-------|
| Basic dynamic load rating | C | 52.7 | kN |
| Basic static load rating | C | 36 | kN |
| Fatigue load limit | P_u | 1.53 | kN |
| Limiting speed ¹⁾ | | 1800 | r/min |
| Calculation factor | f | 14 | |

Mass

| | | | |
|-----------------------|--|-----|----|
| Mass complete bearing | | 1.4 | kg |
|-----------------------|--|-----|----|

Mounting information

| | | | |
|--|-------|-------|-----|
| Thread grub screw | G_2 | M10x1 | |
| Hexagonal key size for grub screw | N | 5 | mm |
| Recommended tightening torque for grub screw | | 16.5 | N·m |