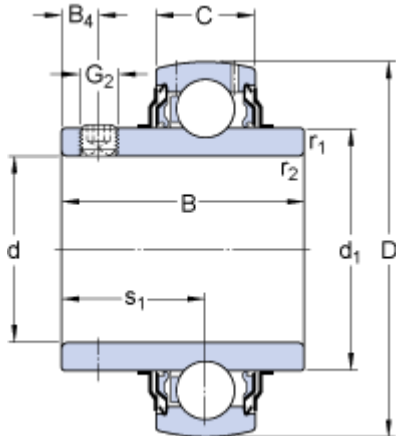


YAR 212-2F

Dimensions



d	60	mm
D	110	mm
B	65.1	mm
C	26	mm
d_1	≈ 75.64	mm
B_4	10	mm
$r_{1,2}$	min. 1.5	mm
s_1	39.7	mm

Calculation data

Basic dynamic load rating	C	52.7	kN
Basic static load rating	C	36	kN
Fatigue load limit	P_u	1.53	kN
Limiting speed ¹⁾		3400	r/min
Calculation factor	f	14	

Mass

Mass complete bearing		1.4	kg
-----------------------	--	-----	----

Mounting information

Thread grub screw	G_2	M10x1	
Hexagonal key size for grub screw	N	5	mm
Recommended tightening torque for grub screw		16.5	N·m