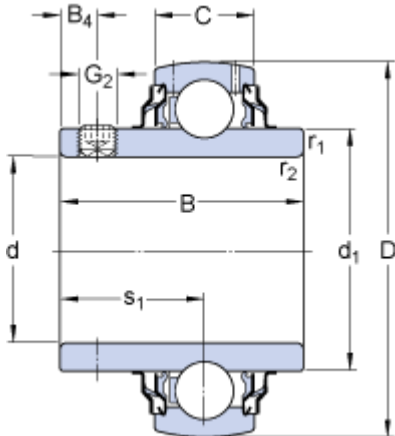


YAR 211-2RF

Dimensions



d	55	mm
D	100	mm
B	55.6	mm
C	25	mm
d ₁	≈ 69.06	mm
B ₄	9	mm
r _{1,2}	min. 1	mm
s ₁	33.4	mm

Calculation data

Basic dynamic load rating	C	43.6	kN
Basic static load rating	C	29	kN
Fatigue load limit	P _u	1.25	kN
Limiting speed ¹⁾		1900	r/min
Calculation factor	f	14	

Mass

Mass complete bearing		1.05	kg
-----------------------	--	------	----

Mounting information

Thread grub screw	G ₂	M10x1	
Hexagonal key size for grub screw	N	5	mm
Recommended tightening torque for grub screw		16.5	N·m