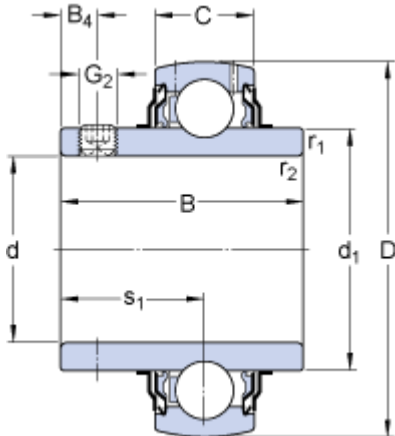


YAR 211-2F

Dimensions



d	55	mm
D	100	mm
B	55.6	mm
C	25	mm
d_1	\approx 69.06	mm
B_4	9	mm
$r_{1,2}$	min. 1	mm
s_1	33.4	mm

Calculation data

Basic dynamic load rating	C	43.6	kN
Basic static load rating	C	29	kN
Fatigue load limit	P_u	1.25	kN
Limiting speed ¹⁾		3600	r/min
Calculation factor	f	14	

Mass

Mass complete bearing		1.05	kg
-----------------------	--	------	----

Mounting information

Thread grub screw	G_2	M10x1	
Hexagonal key size for grub screw	N	5	mm
Recommended tightening torque for grub screw		16.5	N·m