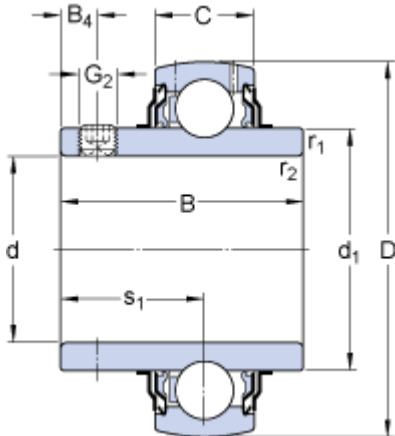


# YAR 211-203-2F

## Dimensions



$d$		55.563	mm
$D$		100	mm
$B$		55.6	mm
$C$		25	mm
$d_1$	$\approx$	69.06	mm
$B_4$		9	mm
$r_{1,2}$	min.	1	mm
$s_1$		33.4	mm

## Calculation data

Basic dynamic load rating	$C$	43.6	kN
Basic static load rating	$C$	29	kN
Fatigue load limit	$P_u$	1.25	kN
Limiting speed <sup>1)</sup>		3600	r/min
Calculation factor	$f$	14	

## Mass

Mass complete bearing		1	kg
-----------------------	--	---	----

## Mounting information

Thread grub screw	$G_2$	3/8-24 UNF	
Hexagonal key size for grub screw	$N$	4.763	mm
Recommended tightening torque for grub screw		16.5	N·m