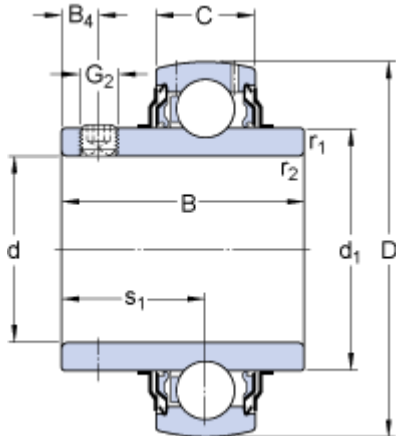


YAR 210-115-2F

Dimensions



d		49.212	mm
D		90	mm
B		51.6	mm
C		22	mm
d ₁	≈	62.51	mm
B ₄		9	mm
r _{1,2}	min.	1	mm
s ₁		32.6	mm

Calculation data

Basic dynamic load rating	C	35.1	kN
Basic static load rating	C	23.2	kN
Fatigue load limit	P _u	0.98	kN
Limiting speed ¹⁾		4000	r/min
Calculation factor	f	14	

Mass

Mass complete bearing		0.79	kg
-----------------------	--	------	----

Mounting information

Thread grub screw	G ₂	3/8-24 UNF	
Hexagonal key size for grub screw	N	4.763	mm
Recommended tightening torque for grub screw		16.5	N·m