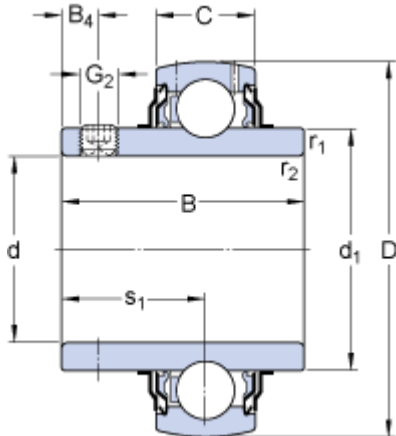


YAR 209-2F

Dimensions



d		45	mm
D		85	mm
B		49.2	mm
C		22	mm
d ₁	≈	56.8	mm
B ₄		8	mm
r _{1,2}	min.	1	mm
s ₁		30.2	mm

Calculation data

Basic dynamic load rating	C	33.2	kN
Basic static load rating	C	21.6	kN
Fatigue load limit	P _u	0.915	kN
Limiting speed ¹⁾		4300	r/min
Calculation factor	f	14	

Mass

Mass complete bearing		0.67	kg
-----------------------	--	------	----

Mounting information

Thread grub screw	G ₂	M8x1	
Hexagonal key size for grub screw	N	4	mm
Recommended tightening torque for grub screw		6.5	N·m