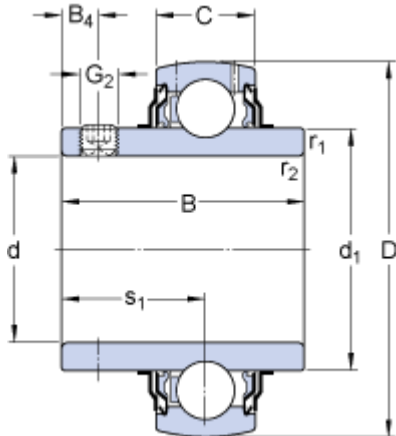


# YAR 209-111-2F

## Dimensions



d		42.862	mm
D		85	mm
B		49.2	mm
C		22	mm
d <sub>1</sub>	≈	56.8	mm
B <sub>4</sub>		8	mm
r <sub>1,2</sub>	min.	1	mm
s <sub>1</sub>		30.2	mm

## Calculation data

Basic dynamic load rating	C	33.2	kN
Basic static load rating	C	21.6	kN
Fatigue load limit	P <sub>u</sub>	0.915	kN
Limiting speed <sup>1)</sup>		4300	r/min
Calculation factor	f	14	

## Mass

Mass complete bearing		0.73	kg
-----------------------	--	------	----

## Mounting information

Thread grub screw	G <sub>2</sub>	5/16-24 UNF	
Hexagonal key size for grub screw	N	3.969	mm
Recommended tightening torque for grub screw		6.5	N·m