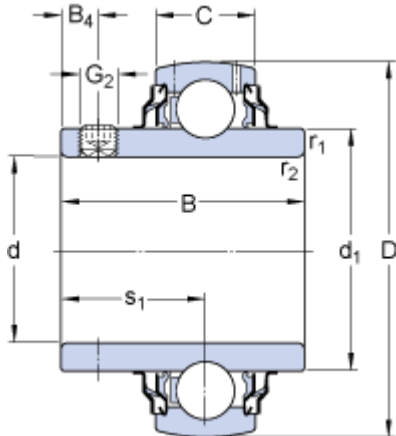


YAR 208-2RF

Dimensions



d		40	mm
D		80	mm
B		49.2	mm
C		21	mm
d ₁	≈	51.8	mm
B ₄		8	mm
r _{1,2}	min.	1	mm
s ₁		30.2	mm

Calculation data

Basic dynamic load rating	C	30.7	kN
Basic static load rating	C	19	kN
Fatigue load limit	P _u	0.8	kN
Limiting speed ¹⁾		2800	r/min
Calculation factor	f	14	

Mass

Mass complete bearing		0.6	kg
-----------------------	--	-----	----

Mounting information

Thread grub screw	G ₂	M8x1	
Hexagonal key size for grub screw	N	4	mm
Recommended tightening torque for grub screw		6.5	N·m

Associated products

Rubber seating ring		RIS 208 A	
---------------------	--	---------------------------	--