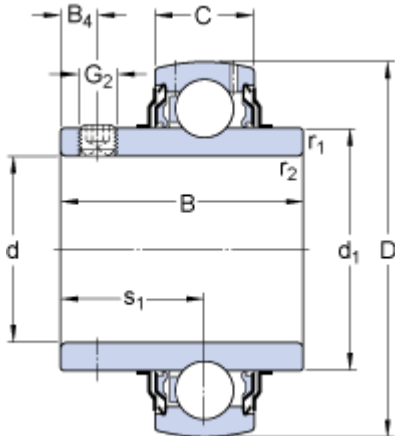


YAR 208-2F

Dimensions



d	40	mm
D	80	mm
B	49.2	mm
C	21	mm
d_1	\approx 51.8	mm
B_4	8	mm
$r_{1,2}$	min. 1	mm
s_1	30.2	mm

Calculation data

Basic dynamic load rating	C	30.7	kN
Basic static load rating	C	19	kN
Fatigue load limit	P_u	0.8	kN
Limiting speed ¹⁾		4800	r/min
Calculation factor	f	14	

Mass

Mass complete bearing		0.6	kg
-----------------------	--	-----	----

Mounting information

Thread grub screw	G_2	M8x1
Hexagonal key size for grub screw	N	4 mm
Recommended tightening torque for grub screw		6.5 N·m

Associated products

Rubber seating ring	RIS 208 A
---------------------	---------------------------