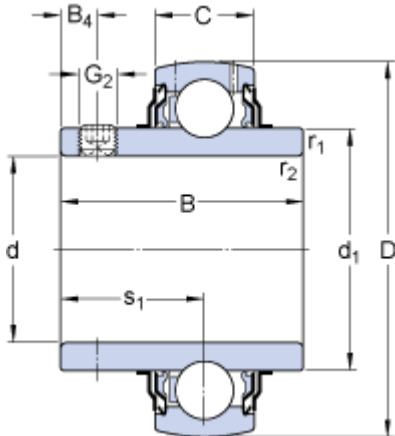


YAR 208-108-2F

Dimensions



d		38.1	mm
D		80	mm
B		49.2	mm
C		21	mm
d_1	\approx	51.8	mm
B_4		8	mm
$r_{1,2}$	min.	1	mm
s_1		30.2	mm

Calculation data

Basic dynamic load rating	C	30.7	kN
Basic static load rating	C	19	kN
Fatigue load limit	P_u	0.8	kN
Limiting speed ¹⁾		4800	r/min
Calculation factor	f	14	

Mass

Mass complete bearing		0.65	kg
-----------------------	--	------	----

Mounting information

Thread grub screw	G_2	5/16-24 UNF	
Hexagonal key size for grub screw	N	3.969	mm
Recommended tightening torque for grub screw		6.5	N·m

Associated products

Rubber seating ring		RIS 208 A	
---------------------	--	---------------------------	--