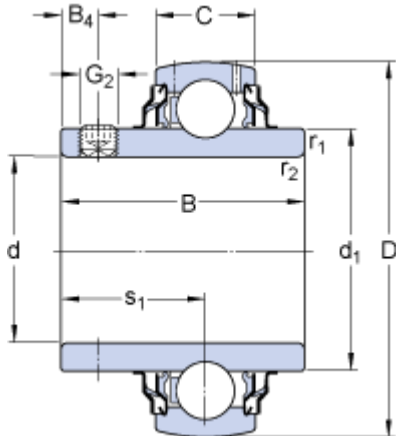


YAR 206-2RF

Dimensions



d	30	mm
D	62	mm
B	38.1	mm
C	18	mm
d ₁	≈ 39.7	mm
B ₄	5	mm
r _{1,2}	min. 0.6	mm
s ₁	22.2	mm

Calculation data

Basic dynamic load rating	C	19.5	kN
Basic static load rating	C	11.2	kN
Fatigue load limit	P _u	0.475	kN
Limiting speed ¹⁾		3800	r/min
Calculation factor	f	14	

Mass

Mass complete bearing		0.31	kg
-----------------------	--	------	----

Mounting information

Thread grub screw	G ₂	M6x0.75
Hexagonal key size for grub screw	N	3 mm
Recommended tightening torque for grub screw		4 N·m

Associated products

Rubber seating ring	RIS 206 A
---------------------	---------------------------