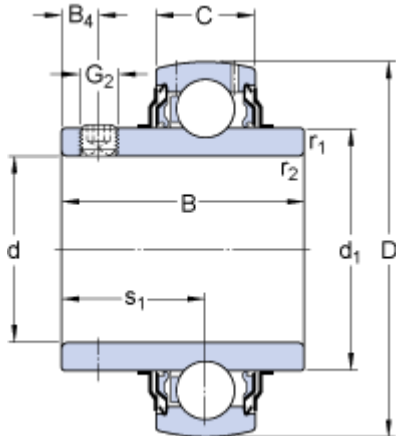


# YAR 205-100-2F

## Dimensions



d	25.4	mm
D	52	mm
B	34.1	mm
C	15	mm
d <sub>1</sub>	≈ 33.74	mm
B <sub>4</sub>	5	mm
r <sub>1,2</sub>	min. 0.6	mm
s <sub>1</sub>	19.8	mm

## Calculation data

Basic dynamic load rating	C	14	kN
Basic static load rating	C	7.8	kN
Fatigue load limit	P <sub>u</sub>	0.335	kN
Limiting speed <sup>1)</sup>		7000	r/min
Calculation factor	f	14	

## Mass

Mass complete bearing		0.19	kg
-----------------------	--	------	----

## Mounting information

Thread grub screw	G <sub>2</sub>	1/4-28 UNF	
Hexagonal key size for grub screw	N	3.175	mm
Recommended tightening torque for grub screw		4	N·m

## Associated products

Rubber seating ring		<a href="#">RIS 205</a>	
---------------------	--	-------------------------	--