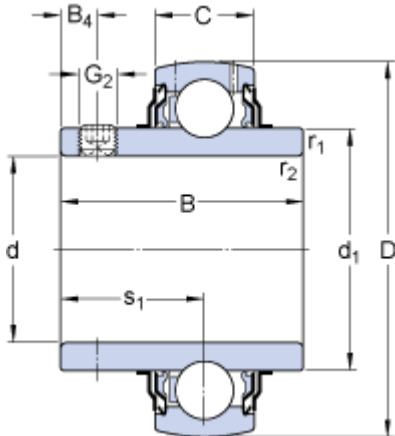


YAR 205-015-2F

Dimensions



| | | | |
|------------------|------|--------|----|
| d | | 23.813 | mm |
| D | | 52 | mm |
| B | | 34.1 | mm |
| C | | 15 | mm |
| d ₁ | ≈ | 33.74 | mm |
| B ₄ | | 5 | mm |
| r _{1,2} | min. | 0.6 | mm |
| s ₁ | | 19.8 | mm |

Calculation data

| | | | |
|------------------------------|----------------|-------|-------|
| Basic dynamic load rating | C | 14 | kN |
| Basic static load rating | C | 7.8 | kN |
| Fatigue load limit | P _u | 0.335 | kN |
| Limiting speed ¹⁾ | | 7000 | r/min |
| Calculation factor | f | 14 | |

Mass

| | | | |
|-----------------------|--|-----|----|
| Mass complete bearing | | 0.2 | kg |
|-----------------------|--|-----|----|

Mounting information

| | | | |
|--|----------------|------------|-----|
| Thread grub screw | G ₂ | 1/4-28 UNF | |
| Hexagonal key size for grub screw | N | 3.175 | mm |
| Recommended tightening torque for grub screw | | 4 | N·m |

Associated products

| | | | |
|---------------------|--|-------------------------|--|
| Rubber seating ring | | RIS 205 | |
|---------------------|--|-------------------------|--|