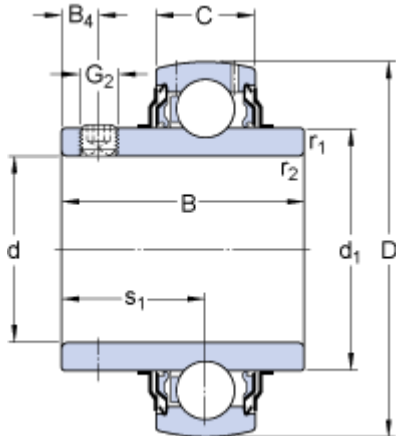


YAR 203-010-2F

Dimensions



d		15.875	mm
D		40	mm
B		27.4	mm
C		12	mm
d ₁	≈	24.2	mm
B ₄		4	mm
r _{1,2}	min.	0.3	mm
s ₁		15.9	mm

Calculation data

Basic dynamic load rating	C	9.56	kN
Basic static load rating	C	4.75	kN
Fatigue load limit	P _u	0.2	kN
Limiting speed ¹⁾		9500	r/min
Calculation factor	f	13	

Mass

Mass complete bearing		0.1	kg
-----------------------	--	-----	----

Mounting information

Thread grub screw	G ₂	#10-32 UNF	
Hexagonal key size for grub screw	N	2.381	mm
Recommended tightening torque for grub screw		4	N·m

Associated products

Rubber seating ring		RIS 203	
---------------------	--	-------------------------	--