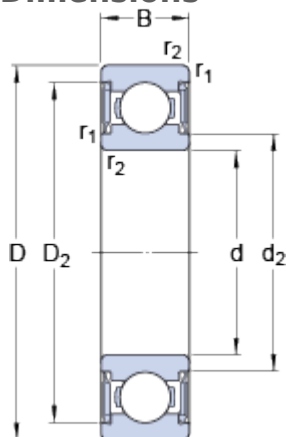


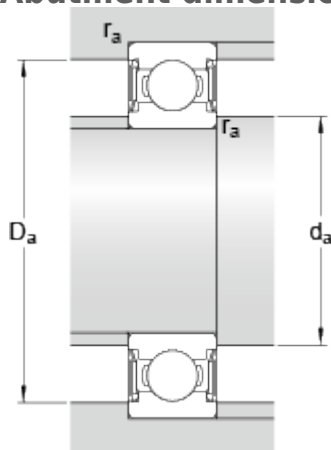
W 634-2RS1

Dimensions



d		4	mm
D		16	mm
B		5	mm
d ₂	≈	6.7	mm
D ₂	≈	13	mm
r _{1,2}	min.	0.3	mm

Abutment dimensions



d _a	min.	6	mm
d _a	max.	6.6	mm
D _a	max.	14	mm
r _a	max.	0.3	mm

Calculation data

Basic dynamic load rating	C	0.761	kN
Basic static load rating	C	0.265	kN
Fatigue load limit	P _u	0.011	kN
Limiting speed		30000	r/min
Calculation factor	k _r	0.035	
Calculation factor	f	6.8	

Mass

Mass bearing		0.0052	kg
--------------	--	--------	----