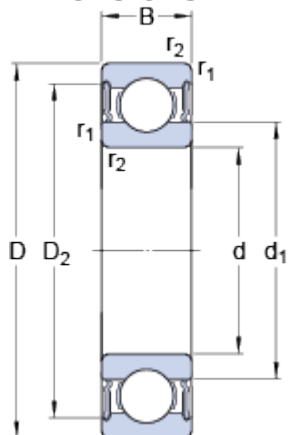


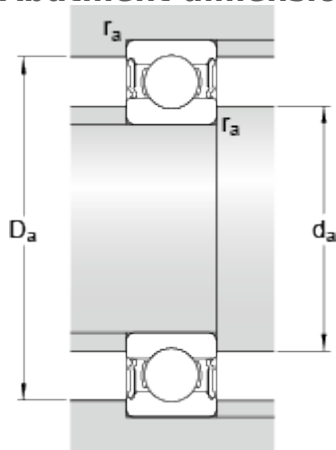
W 6306-2RS1

Dimensions



d		30	mm
D		72	mm
B		19	mm
d ₁	≈	44.9	mm
D ₂	≈	62.35	mm
r _{1,2}	min.	1.1	mm

Abutment dimensions



d _a	min.	36.5	mm
d _a	max.	44.5	mm
D _a	max.	65.5	mm
r _a	max.	1	mm

Calculation data

Basic dynamic load rating	C	22.9	kN
Basic static load rating	C	15	kN
Fatigue load limit	P _u	0.64	kN
Limiting speed		6300	r/min
Calculation factor	k _r	0.035	
Calculation factor	f	13.3	

Mass

Mass bearing		0.35	kg
--------------	--	------	----