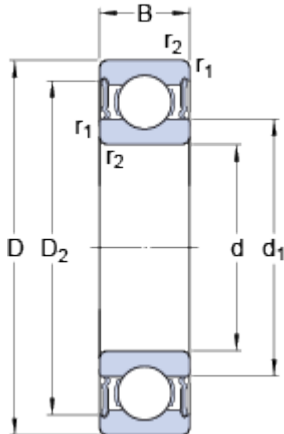


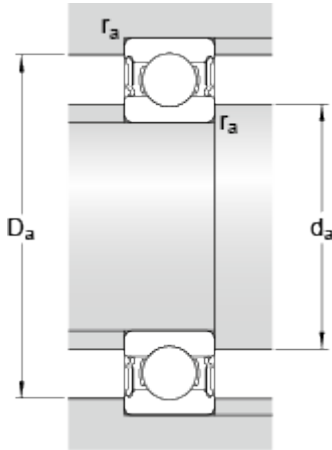
# W 6305-2RS1

## Dimensions



d		25	mm
D		62	mm
B		17	mm
d <sub>1</sub>	≈	38.1	mm
D <sub>2</sub>	≈	53.22	mm
r <sub>1,2</sub>	min.	1.1	mm

## Abutment dimensions



d <sub>a</sub>	min.	31.5	mm
d <sub>a</sub>	max.	38	mm
D <sub>a</sub>	max.	55.5	mm
r <sub>a</sub>	max.	1	mm

## Calculation data

Basic dynamic load rating	C	17.8	kN
Basic static load rating	C	11.2	kN
Fatigue load limit	P <sub>u</sub>	0.48	kN
Limiting speed		7500	r/min
Calculation factor	k <sub>r</sub>	0.035	
Calculation factor	f	13.2	

## Mass

Mass bearing		0.23	kg
--------------	--	------	----