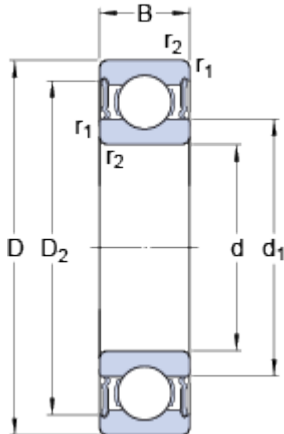


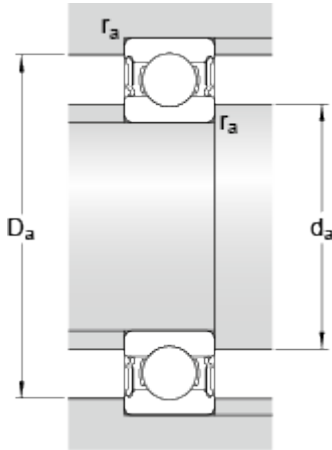
W 6304-2RS1

Dimensions



| | | | |
|------------------|------|------|----|
| d | | 20 | mm |
| D | | 52 | mm |
| B | | 15 | mm |
| d ₁ | ≈ | 30 | mm |
| D ₂ | ≈ | 45.4 | mm |
| r _{1,2} | min. | 1.1 | mm |

Abutment dimensions



| | | | |
|----------------|------|------|----|
| d _a | min. | 26.5 | mm |
| d _a | max. | 29.5 | mm |
| D _a | max. | 46 | mm |
| r _a | max. | 1 | mm |

Calculation data

| | | | |
|---------------------------|----------------|-------|-------|
| Basic dynamic load rating | C | 13.8 | kN |
| Basic static load rating | C | 7.8 | kN |
| Fatigue load limit | P _u | 0.335 | kN |
| Limiting speed | | 9500 | r/min |
| Calculation factor | k _r | 0.035 | |
| Calculation factor | f | 12.3 | |

Mass

| | | | |
|--------------|--|------|----|
| Mass bearing | | 0.14 | kg |
|--------------|--|------|----|