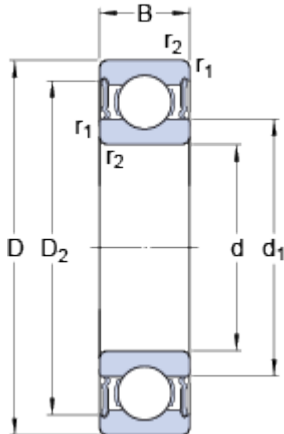


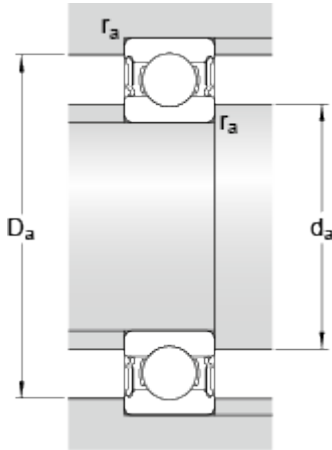
W 6303-2RS1

Dimensions



d		17	mm
D		47	mm
B		14	mm
d ₁	≈	27.5	mm
D ₂	≈	41.1	mm
r _{1,2}	min.	1	mm

Abutment dimensions



d _a	min.	22	mm
d _a	max.	27	mm
D _a	max.	42	mm
r _a	max.	1	mm

Calculation data

Basic dynamic load rating	C	11.7	kN
Basic static load rating	C	6.55	kN
Fatigue load limit	P _u	0.28	kN
Limiting speed		10000	r/min
Calculation factor	k _r	0.035	
Calculation factor	f	12.4	

Mass

Mass bearing		0.11	kg
--------------	--	------	----